

OnSite™ Wall Mount Bracket

Model WMB-5U

1.	OVERVIEW.....	1
2.	APPLICATIONS.....	1
3.	DESCRIPTION.....	1
4.	INSTALLATION.....	1
5.	CUSTOMER SERVICE.....	2
6.	SPECIFICATIONS.....	2

1. OVERVIEW

The WMB-5U Wall Mount Bracket enables network and telecommunications devices to be mounted flush to a wall thereby minimizing the depth requirements typically associated with free standing or wall-mounted racks. The WMB-5U supports up to 5 rack units of equipment. (Figure 1).

Document Status

This is the initial release of this document.

Product Features

- Provides 5U of racking space
- Allows horizontal or vertical orientation for optimal equipment access
- Heavy-duty 12 gauge steel

2. APPLICATIONS

The WMB-5U is typically used in small equipment rooms or closets where there may be inadequate space for floor or wall mounted racks. The WMB-5U minimizes the space required by enabling up to 5U of equipment to be mounted flush to a wall.

3. DESCRIPTION

The WMB-5U is a 19" steel rack that provides 5U of racking space. It may be mounted horizontally or vertically on a backboard.

4. INSTALLATION

The shipping carton for the WMB-5U contains the following:

- One (1) bracket
- Six (6) #12 x 1" slotted hex screws, self-tapping

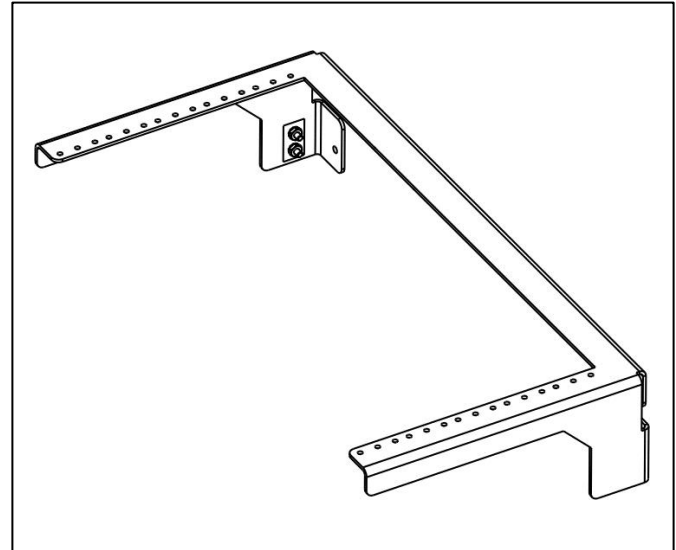


Figure 1. WMB-5U

- Two (2) #10-32 hex nuts (attached)
- Product documentation

Installation steps are described in detail below.

A. Mounting the WMB-5U to a backboard

- ① Select an appropriate location to install the WMB-5U ensuring adequate area for the equipment to be placed on the rack. Mounting to a 3/4" thick backboard with the included hardware ensures that the combined weight of the WMB-5U and equipment can be supported.
- ② Determine the desired orientation. Use the appropriate figure, Figure 2 or Figure 3 for the remaining installation steps.
- ③ Using the WMB-5U as a template, mark the two locations identified as Ⓐ in Figures 2 or 3. These locations are 18" apart and in-line. Drill two 5/32" pilot holes.
- ④ Hold the back of the bracket firmly against the mounting surface mating the pilot holes with the locations marked as Ⓐ in Figure 2 or 3. Install two of the included 1" wood screws.

- ⑤ Drill four additional 5/32" pilot holes at locations marked as ⓐ in Figure 2 or 3 and install the remaining four 1" wood screws.

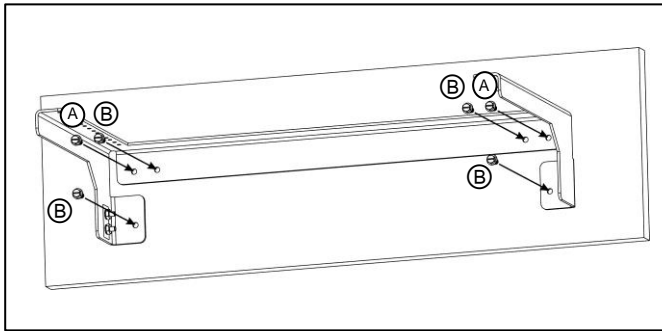


Figure 2. Horizontal mounting on backboard

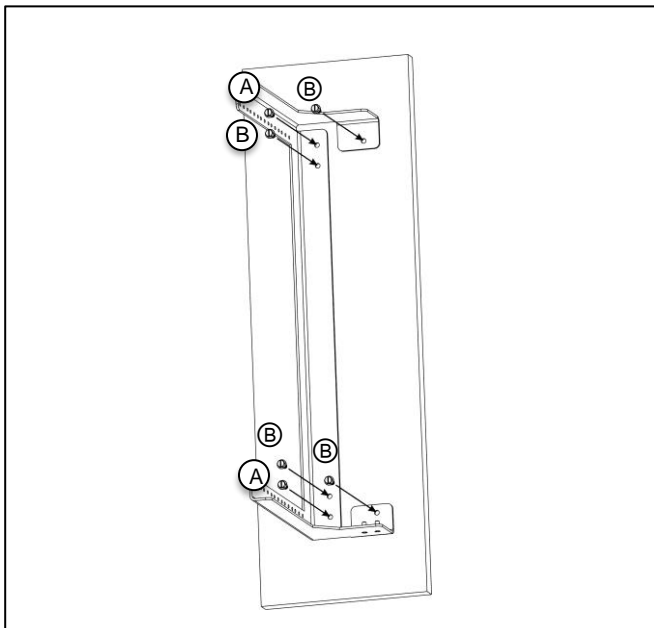


Figure 3. Vertical mounting on backboard

B. Grounding

- ① Locate the pair of threaded posts for grounding on the WMB-5U (Figure 4). The grounding posts are 10-32 x 3/8" on 5/8" centers.
- ② Install a dual ground lug with holes on 5/8" centers (customer provided) to the studs and secure with two #10-32 hex nuts provided.
- ③ Connect a ground wire of appropriate gauge to the ground lug and attach the other end of the wire to a bonded ground point, per local procedures for network equipment.

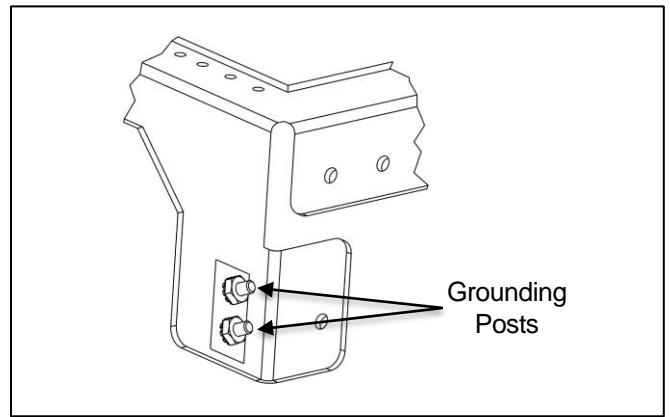


Figure 4. Grounding posts

5. CUSTOMER SERVICE

If technical or customer assistance is required, please contact Engenuity at the following:

Customer Service	1-800-980-3266 customer.service@engenuitycom.com
Technical Support	1-800-841-1005 support@engenuitycom.com
Engenuity Communications 3545 Stern Avenue St. Charles, Illinois 60174 www.engenuitycom.com	

6. SPECIFICATIONS

WMB-5U	Size (H x W x D)	4.0" x 20.2" x 10.2"
	Weight	3.2 pounds
	Capacity	75 pounds