

Model SPL-4H Side Plate for OnSite™ WR-5U Wall Rack

1. OVERVIEW	1
2. APPLICATIONS	1
3. DESCRIPTION	1
4. INSTALLATION	1
5. TESTING AND TROUBLESHOOTING.....	2
6. CUSTOMER SERVICE.....	2
7. WARRANTY & REPAIRS	2
8. SPECIFICATIONS	2

1. OVERVIEW

Model SPL-4H (Figure 1) is an optional side plate that provides additional cable management for Engenuity's OnSite WR-5U Wall Rack. The SPL-4H provides two adjustable cable take-up reels, sized to maintain proper bend radius in fiber applications. The metal plate can be attached to either side of the WR-5U frame using the included hardware.

Document Status

Whenever updates are made to this product or practice, they will be noted in this paragraph.

2. APPLICATIONS

Adjustable split reels on the SPL-4H side plate provide slack management for cables that connect to equipment in the WR-5U wall rack. This is especially helpful when connecting to equipment with long jumpers fed from a fiber distribution point.

3. DESCRIPTION

The SPL-4H consists of a metal mounting plate with two split cable reels, pre-attached as shown in Figure 1. Tapped screw holes on the mounting plate allow the reels to be repositioned if desired. Examples of alternate positioning of the reels are shown in Figure 2.

4. INSTALLATION

The SPL-4H shipping carton contains the following:

- One (1) mounting plate with pre-attached cable reels
- Two (2) #10-32 x 3/8" Phillips-head screws
- Product documentation

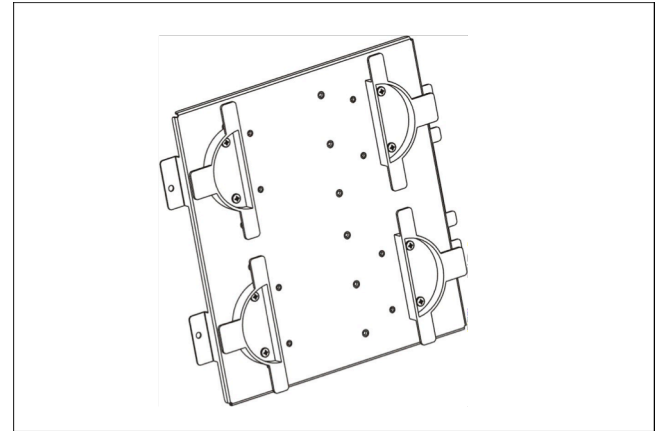


Figure 1. Model SPL-4H Side Plate

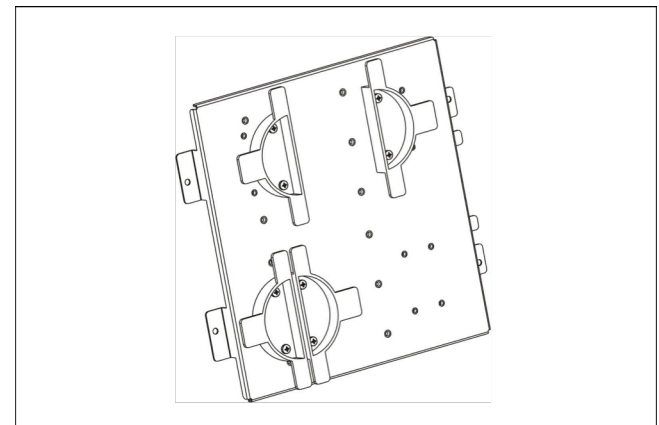


Figure 2. Example repositioning of cable reels

To install and use the SPL-4H side plate, refer to Figure 3 and the steps below.

- ① Slide the two narrower tabs at the edge of the SPL-4H into the openings on the side of the WR-5U, toward the rear of the mounting.
- ② Align the wide tabs at the front edge of the SPL-4H with the threaded holes on the side of the WR-5U frame. Use the two (2) included #10-32 x 3/8" screws to securely fasten the side plate to the frame.
- ③ Carefully wrap cables around the take-up reels to reduce slack as needed. Example routing is shown in Figure 4. Alternate mounting holes are located on the side plate for repositioning the half-reels, if desired.

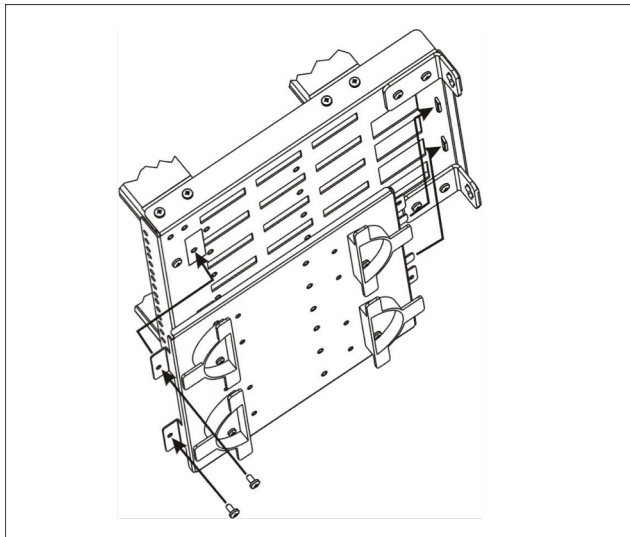


Figure 4. SPL-4H installation

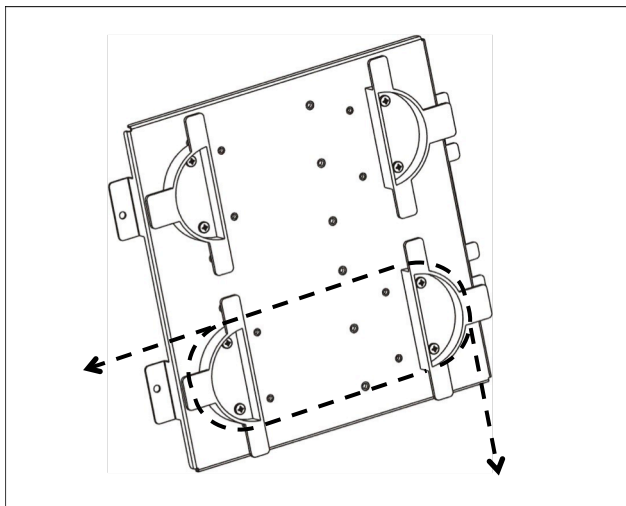


Figure 3. Cable take-up reel routing

5. TESTING AND TROUBLESHOOTING

Each piece of equipment installed in the WR-5U should be tested according to the manufacturer's instructions.

6. CUSTOMER SERVICE

If technical or customer assistance is required, please contact Enginuity at the following address or phone number:

Enginuity Communications
 3545 Stern Avenue
 St. Charles, Illinois 60174
 Toll Free: 1-800-980-3266
 www.enginuitycom.com

7. WARRANTY & REPAIRS

Warranty

Enginuity warrants this product for one (1) year from date of purchase. Any attempt to repair or modify the equipment by anyone other than an authorized Enginuity representative will void the warranty.

This limited warranty does not cover any losses or damages resulting from shipment to or from the customer, or from improper installation, abuse, modifications, or unauthorized repair by other than Enginuity personnel.

Repair and Return

Enginuity equipment will be repaired or replaced without cost during the warranty period if the product is defective for any reason other than abuse, improper use, or improper installation. Before returning defective equipment, first request a Return Material Authorization (RMA) number from Enginuity. Once an RMA number is obtained, return the unit, freight prepaid, along with a brief description of the problem, to:

Enginuity Communications
 3545 Stern Avenue
 St. Charles, Illinois 60174
 ATTN: Repair & Return Dept.

Replacements will be shipped in the fastest manner consistent with the urgency of the situation. Repair or replacement of faulty equipment beyond the warranty period is available for a nominal charge. Contact Enginuity for details.

8. SPECIFICATIONS

Part Number	SPL-4H
Description	Side Plate for WR-5U with (2) adjustable take-up reels
Height	10.5 inches
Width	11.3 inches
Depth	1.3 inches
Weight	2.5 pounds